

PROAIR

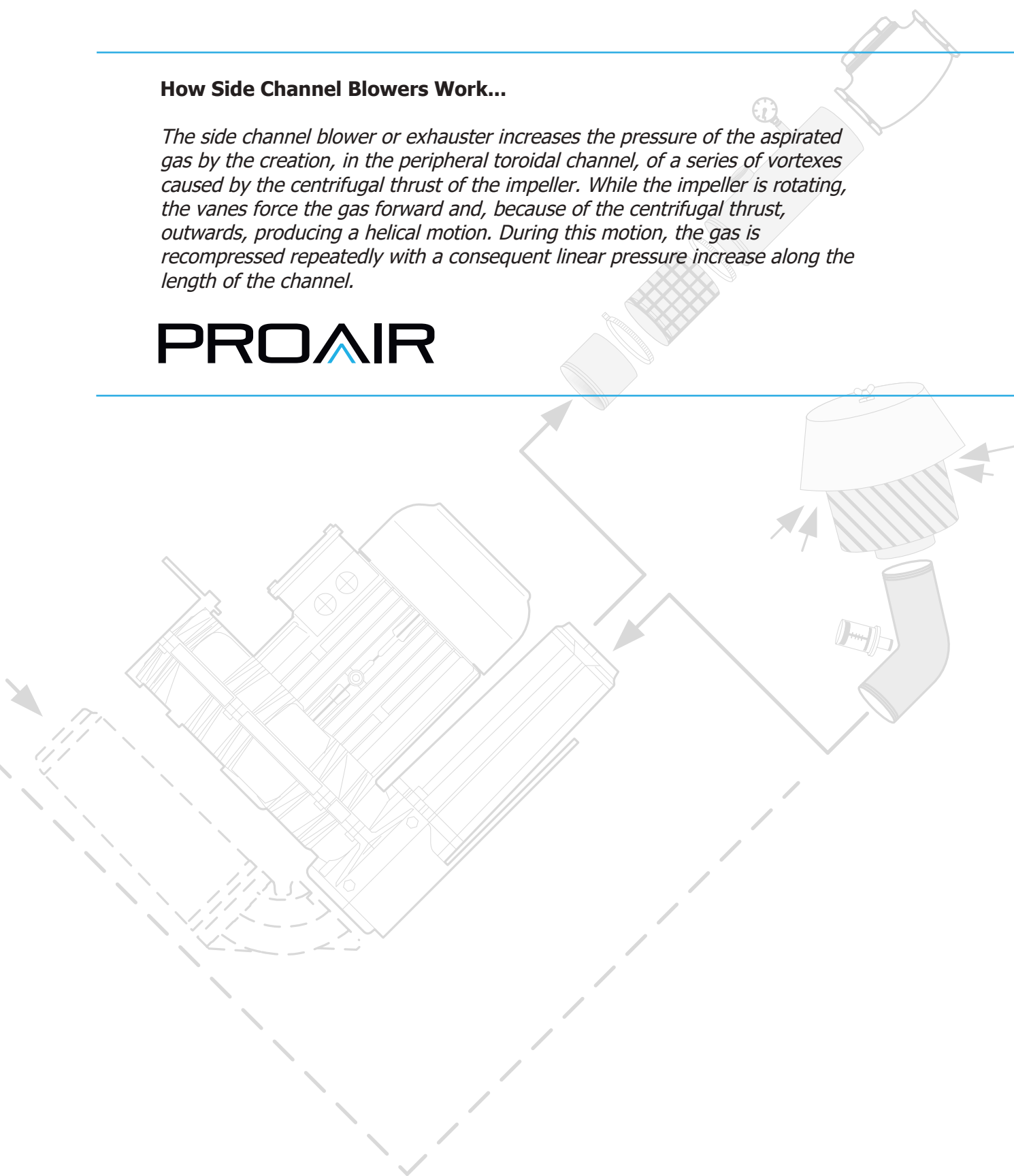
SIDE CHANNEL BLOWER



How Side Channel Blowers Work...

The side channel blower or exhauster increases the pressure of the aspirated gas by the creation, in the peripheral toroidal channel, of a series of vortexes caused by the centrifugal thrust of the impeller. While the impeller is rotating, the vanes force the gas forward and, because of the centrifugal thrust, outwards, producing a helical motion. During this motion, the gas is recompressed repeatedly with a consequent linear pressure increase along the length of the channel.

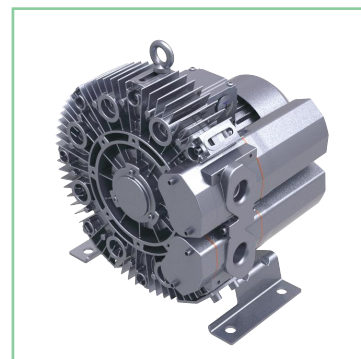
PROAIR



1

Proair Single Stage Blowers

- 1370 m³/h max air flowrate
- 460 mbar max working pressure
- 18,5 kW max motor power
- Monophase and triphase options
- 50 Hz and 60 Hz motor options
- Aluminium blower body
- Maintenance free and high efficiency fan
- Different installation options



2

Proair Double Stage Blowers

- 2050 m³/h max air flowrate
- 670 mbar max working pressure
- 25 kW max motor power
- Monophase and triphase options
- 50 Hz and 60 Hz motor options
- Aluminium blower body
- Maintenance free and high efficiency fan
- Different installation options



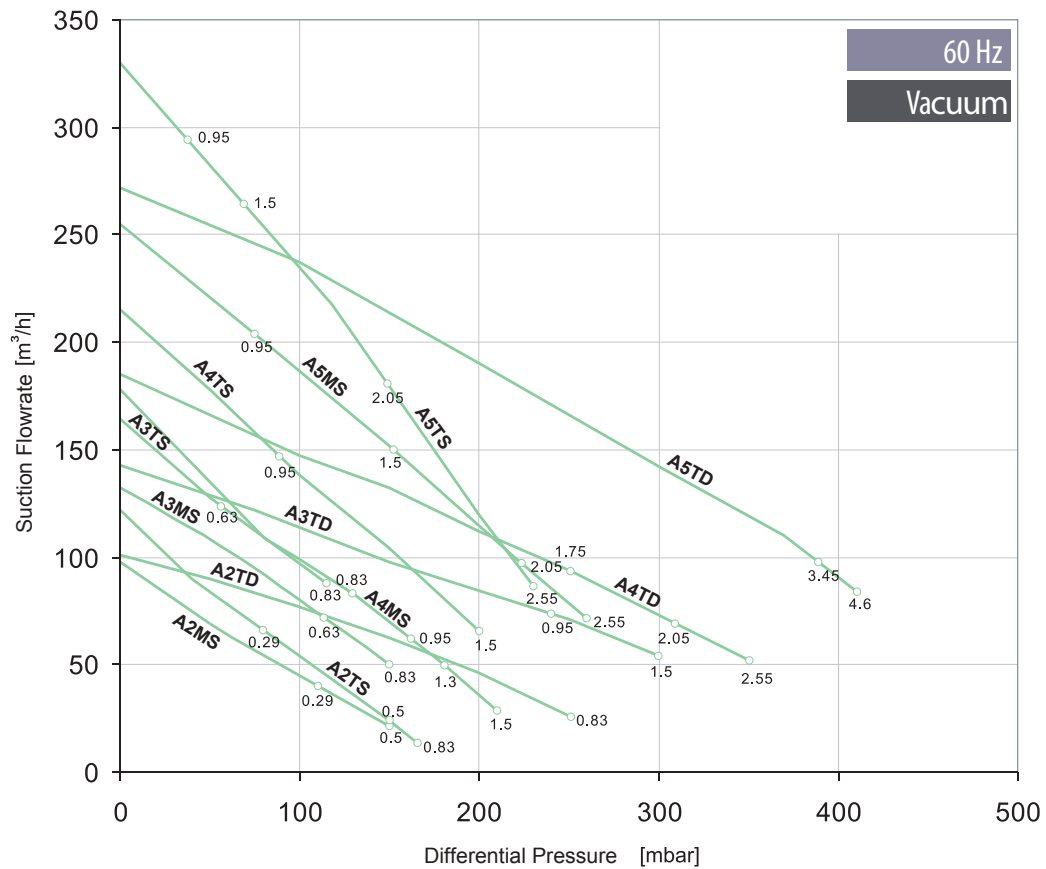
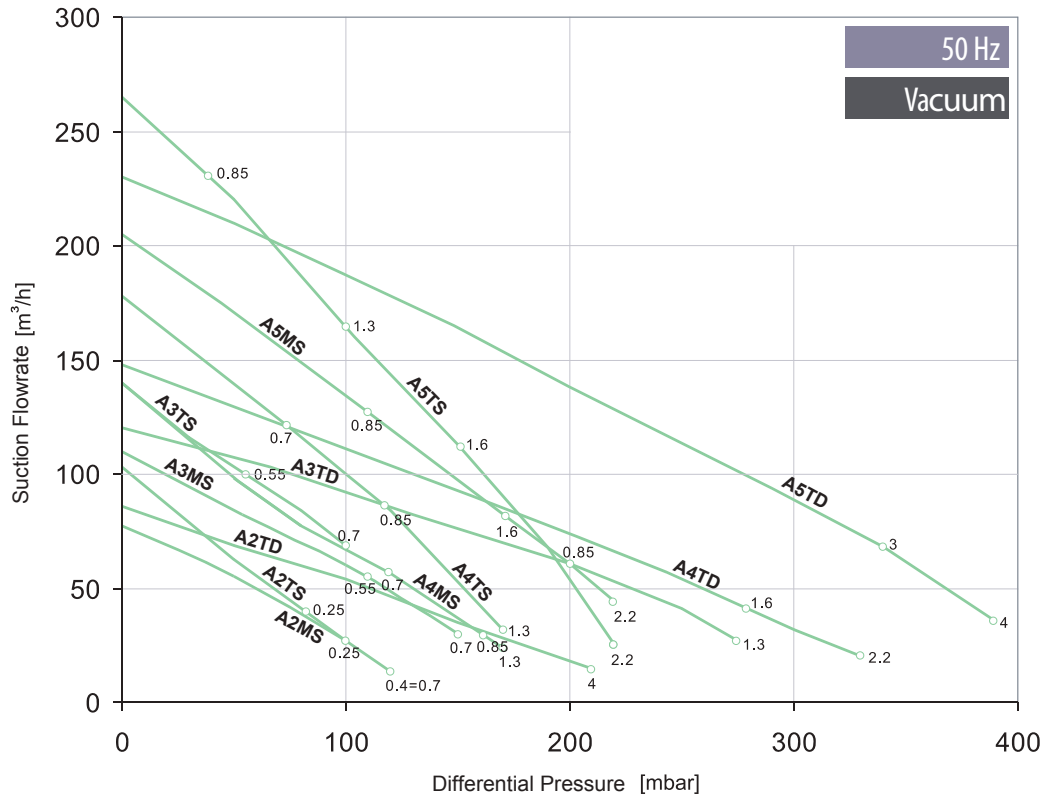


SINGLE STAGE BLOWER PERFORMANCE TABLE

Model	Motor Power (kW)	Connection Size (inch)	Max Air Flowrate (m ³ /h)	Max Vacuum Pressure (mbar)	Max Outlet Pressure (mbar)	Noise Level (dBA)	Weight (kg)
A0MS-106	0,2	1 1/4	40	-60	70	50	6
A1MS-106	0,25	1 1/4	55	-80	80	51	7
A2MS-106	0,25	1 1/4	80	-100	110	53	8
A2MS-116	0,4	1 1/4	80	-120	130	53	10
A2TS-116	0,4	1,25	105	-120	130	54	10
A2TS-126	0,7	1,25	105	-120	130	54	11
A3MS-106	0,55	1,25	110	-110	110	55	12
A3MS-116	0,7	1,25	110	-110	150	55	13
A3TS-106	0,55	1,25	140	-60	60	56	13
A3TS-116	0,7	1,25	140	-100	100	56	14
A4MS-106	0,7	1,5	145	-120	120	63	13
A4MS-116	0,85	1,5	145	-160	160	63	15
A4MS-126	1,3	1,5	145	-170	200	63	16
A4TS-106	0,7	1,5	180	-70	70	64	14
A4TS-116	0,85	1 1/2	180	-120	120	64	16
A4TS-126	1,3	1 1/2	180	-170	220	64	17
A5MS-106	0,85	2	210	-110	100	64	18
A5MS-116	1,3	2	210	-170	170	64	20
A5MS-126	1,6	2	210	-200	190	64	21
A5MS-136	2	2	210	-220	270	64	25
A5TS-106	0,85	2	270	-40	40	65	19
A5TS-116	1,3	2	270	-100	100	65	21
A5TS-126	1,6	2	270	-150	150	65	22
A5TS-136	2	2	270	-220	230	65	26
A6MS-106	1,6	2	265	-180	190	65	24
A6MS-116	2	2	265	-220	250	65	27
A6MS-126	3	2	265	-280	310	65	32
A6TS-106	1,6	2	345	-125	125	65	24
A6TS-116	2	2	345	-200	195	65	27
A6TS-126	3	2	345	-240	220	65	32
A7MS-106	1,6	2	318	-160	150	69	26
A7MS-116	2	2	318	-210	200	69	29
A7MS-126	3	2	318	-270	290	69	34
A7MS-137	4	2	318	-290	330	69	42
A7TS-106	1,6	2	420	-100	100	70	29
A7TS-116	2	2	420	-170	170	70	32
A7TS-126	3	2	420	-220	220	70	37
A7TS-137	4	2	420	-260	310	70	43
A8MS-107	4	2,5	530	-200	200	70	54
A8MS-117	5,5	2,5	530	-300	300	70	63
A8MS-127	7,5	2,5	530	-320	430	70	66
A8TS-107	4	2,5	700	-150	140	70	57
A8TS-117	5,5	2,5	700	-200	180	70	66
A8TS-127	7,5	2,5	700	-270	260	70	69
A9MS-107	8,5	4	1050	-210	210	74	93
A9MS-117	12,5	4	1050	-280	270	74	116
A9MS-137	18,5	4	1050	-340	460	74	126
A9TS-107	8,5	4	1370	-120	110	75	98
A9TS-117	12,5	4	1370	-210	190	75	121
A9TS-137	18,5	4	1370	-310	320	75	131

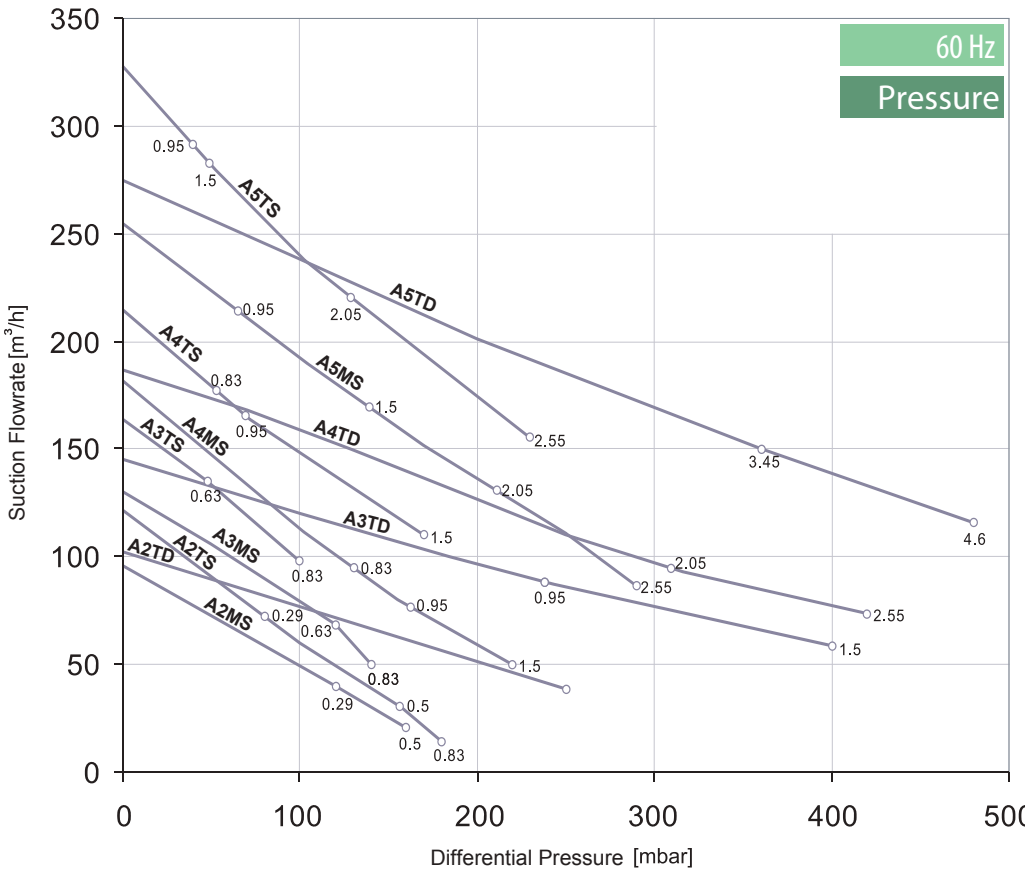
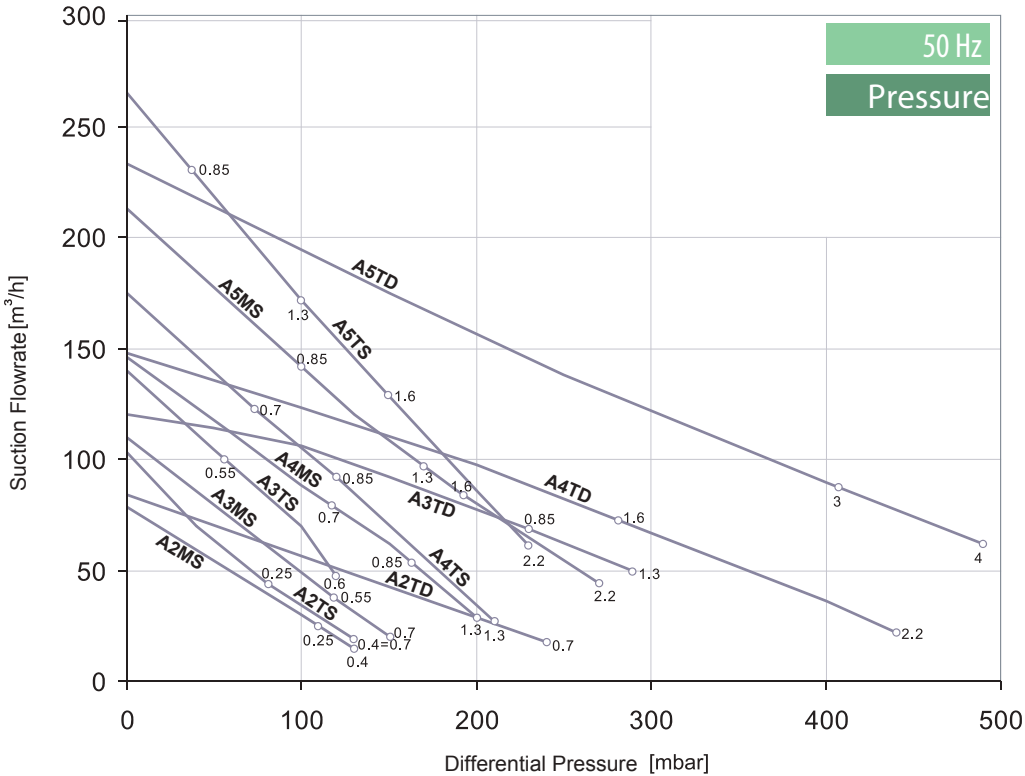


PERFORMANCE GRAPHS





PERFORMANCE GRAPHS



PROAIR

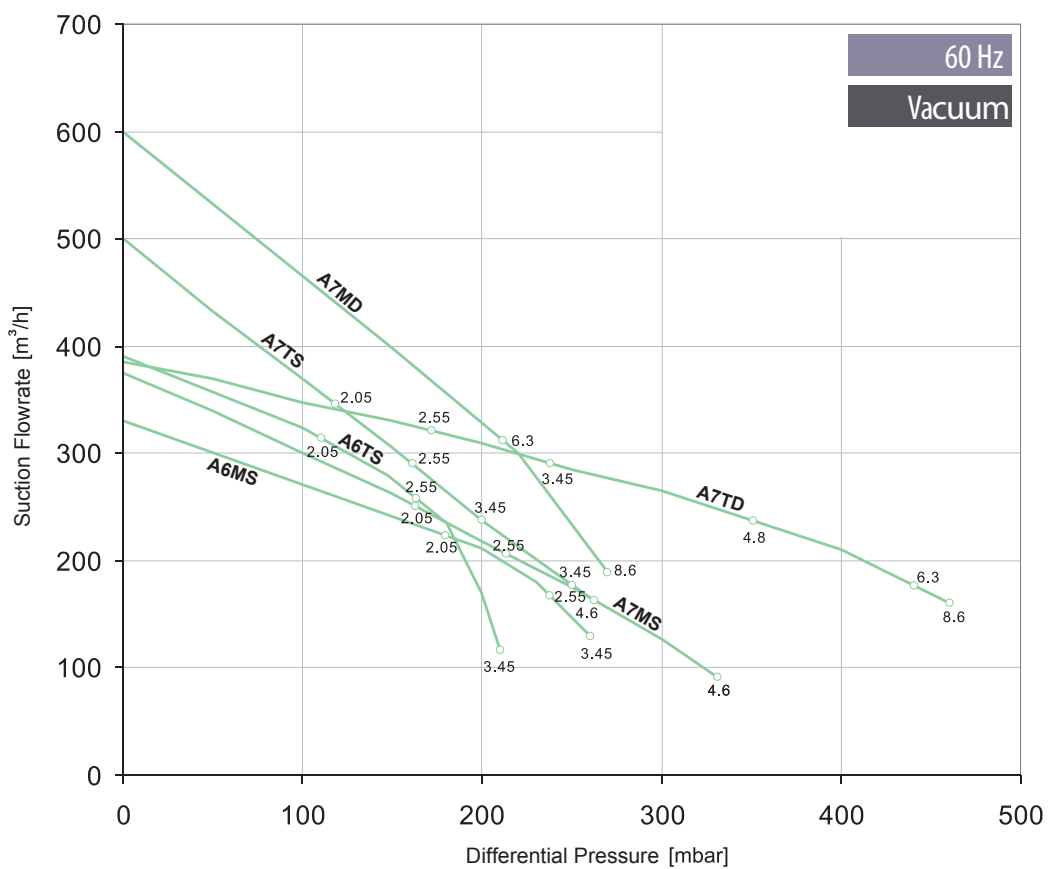
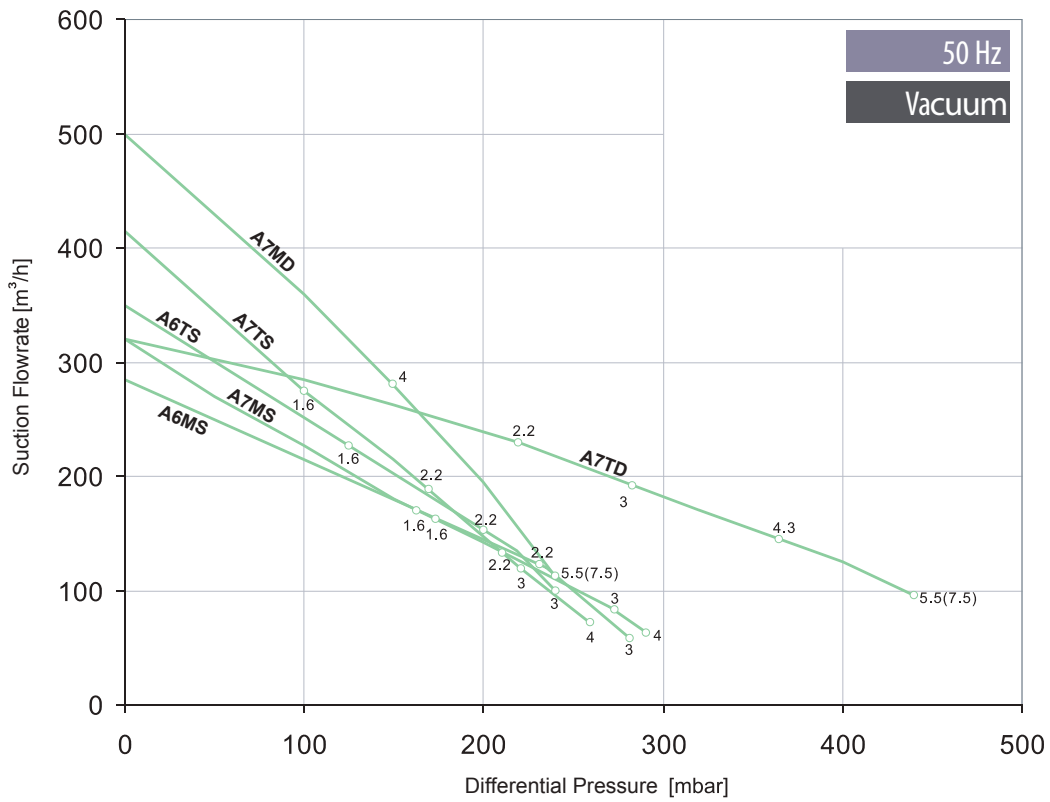


DOUBLE STAGE BLOWER PERFORMANCE TABLE

Model	Motor Power (kW)	Connection Size (inch)	Max Air Flowrate (m ³ /h)	Max Vacuum Pressure (mbar)	Max Outlet Pressure (mbar)	Noise Level (dBA)	Weight (kg)
A2TD-226	0,7	1 1/4	88	-210	240	55	14
A3TD-226	0,85	1 1/4	110	-200	230	58	17
A3TD-236	1,3	1 1/4	110	-280	290	58	18
A4TD-236	1,6	1 1/2	150	-280	280	66	24
A4TD-246	2	1,5	150	-330	440	66	27
A5TD-246	3	2	230	-340	410	72	39
A5TD-257	4	2	230	-390	490	72	43
A7TD-216	2	2	320	-220	210	73	42
A7TD-226	3	2	320	-280	260	73	47
A7TD-237	4,3	2	320	-360	380	73	53
A7TD-247	5,5	2	320	-440	500	73	70
A7TD-257	7,5	2	320	-440	570	73	77
A7MD-337	4,3	2	500	-150	140	74	54
A7MD-347	5,5	2	500	-240	260	74	69
A7MD-357	7,5	2	500	-240	310	74	75
A8TD-217	5,5	2 1/2	520	-240	240	74	83
A8TD-227	7,5	2 1/2	520	-400	400	74	86
A8TD-237	11	2 1/2	520	-430	600	74	104
A8TD-247	15	2 1/2	520	-460	670	74	120
A8MD-227	7,5	2 1/2	900	-200	180	74	91
A8MD-237	11	2,5	900	-280	370	74	110
A9TD-217	12,5	4	1110	-300	270	74	187
A9TD-227	16,5	4	1110	-420	370	74	197
A9TD-237	20	4	1110	-440	500	74	204
A9TD-247	25	4	1110	-450	590	74	211
A9MD-427	15	4	1940	-130	110	75	187
A9MD-437	20	4	1940	-220	200	75	212
A9MD-447	25	4	1940	-310	270	75	219
A9MD-427X	15	4	2050	-160	170	75	220
A9MD-437X	20	4	2050	-250	230	75	230
A9MD-447X	25	4	2050	-310	270	75	235

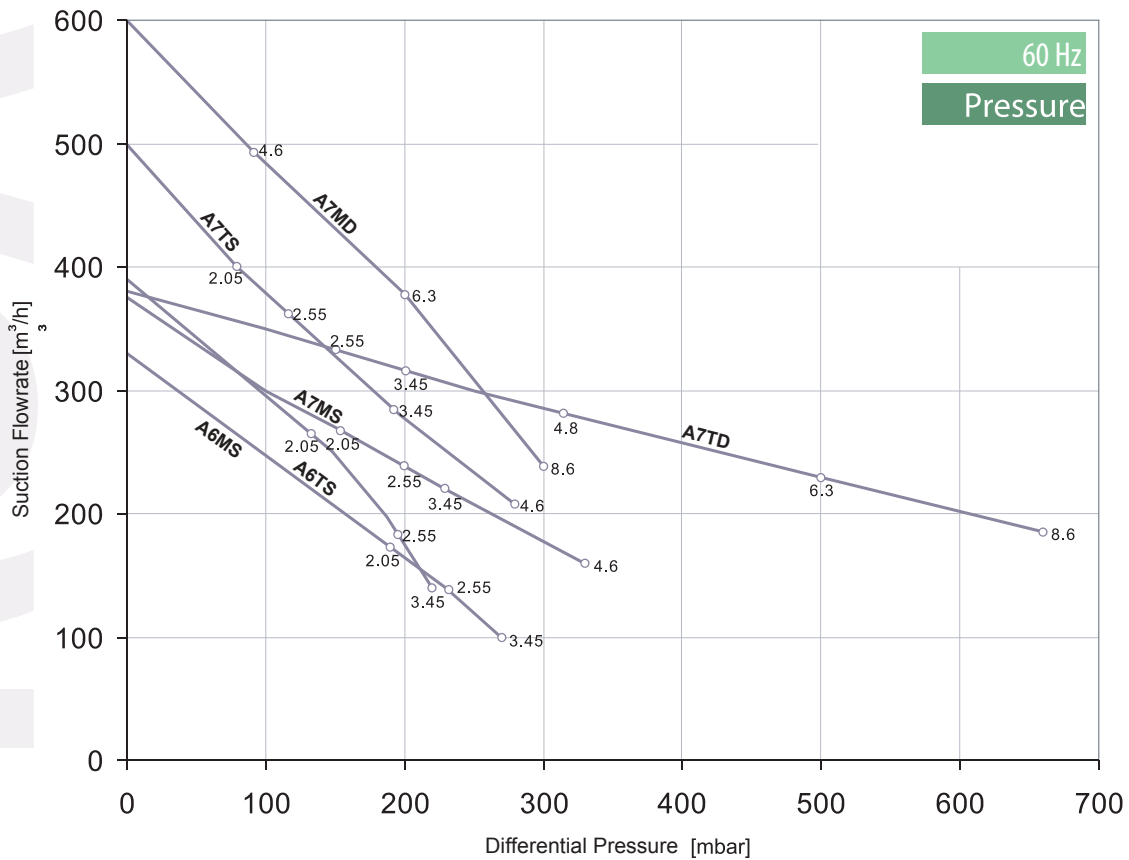
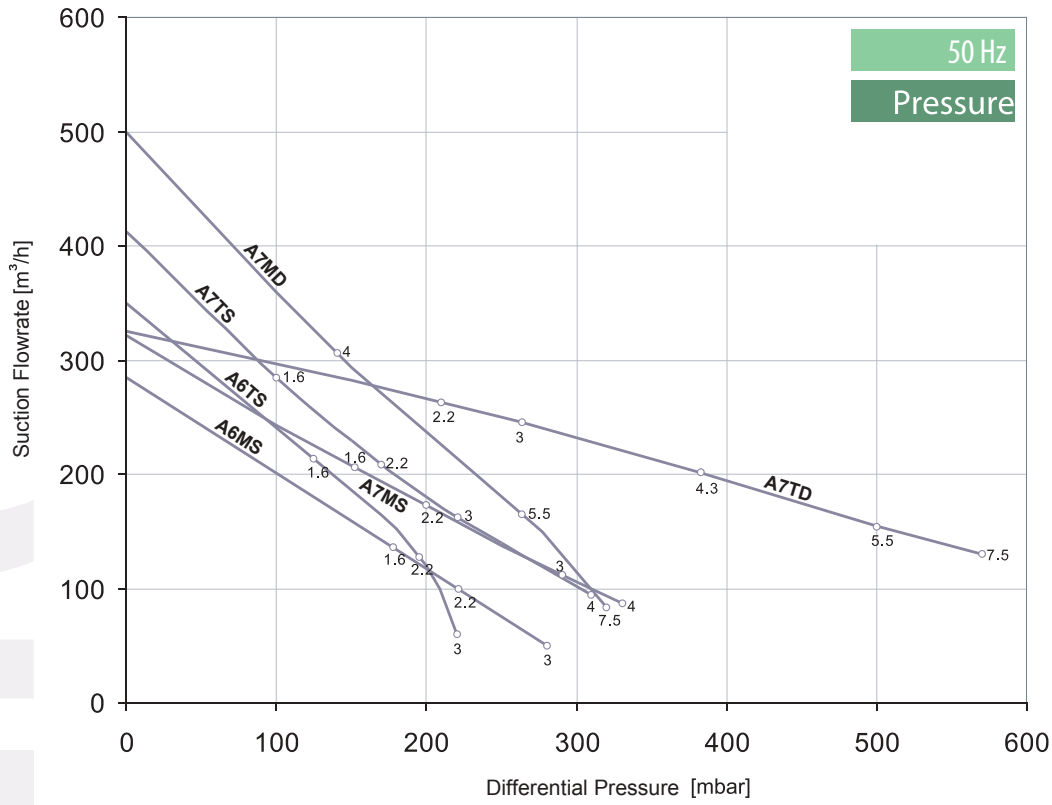


PERFORMANCE GRAPHS



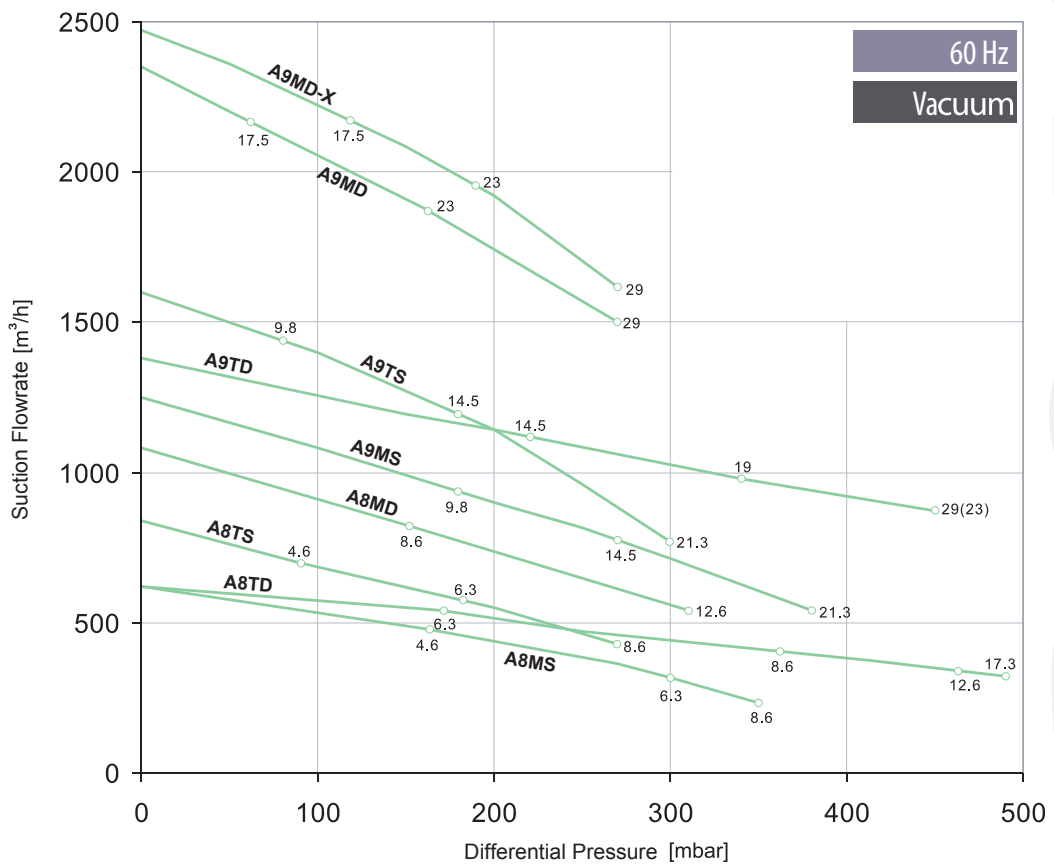
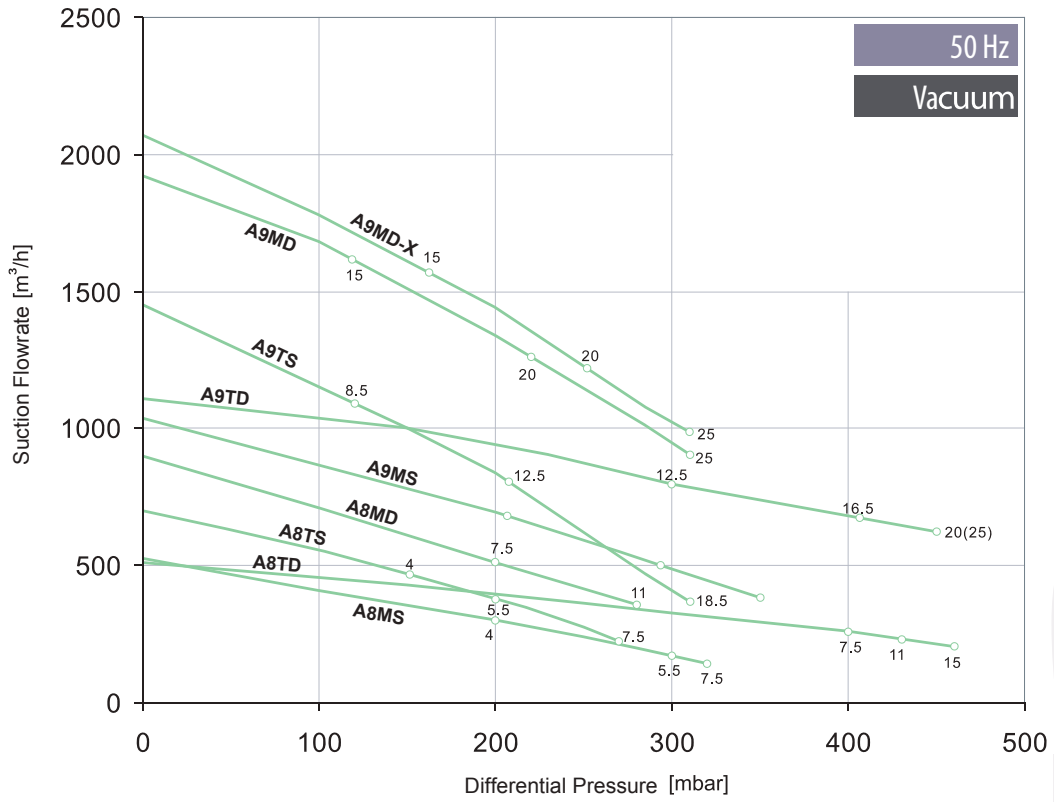


PERFORMANCE GRAPHS





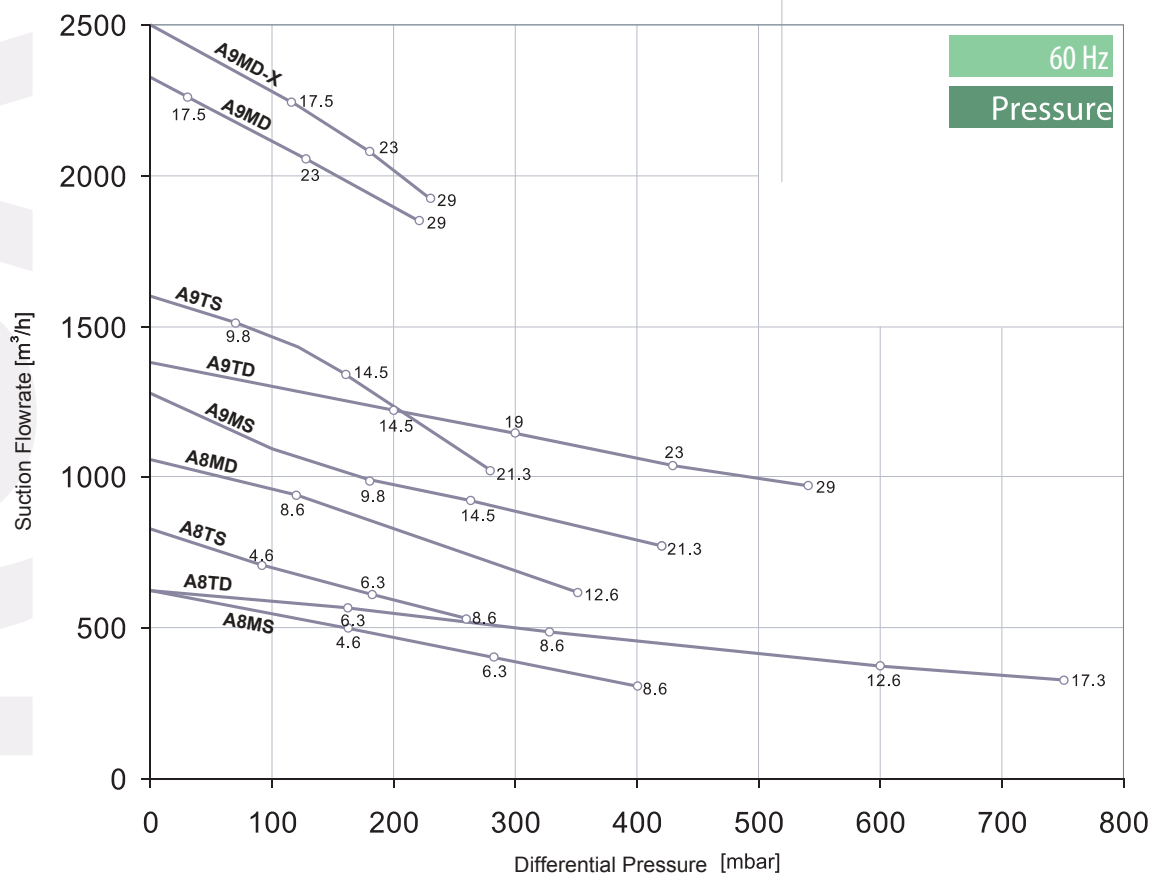
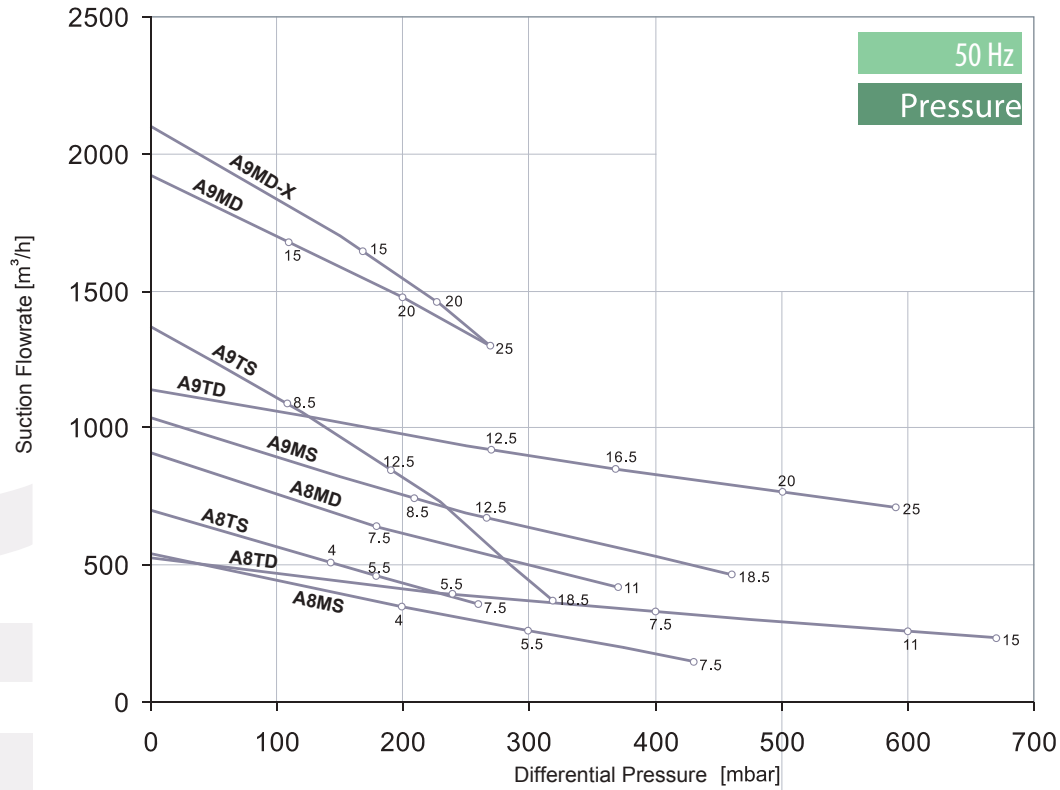
PERFORMANCE GRAPHS

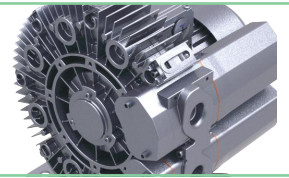


PROAIR

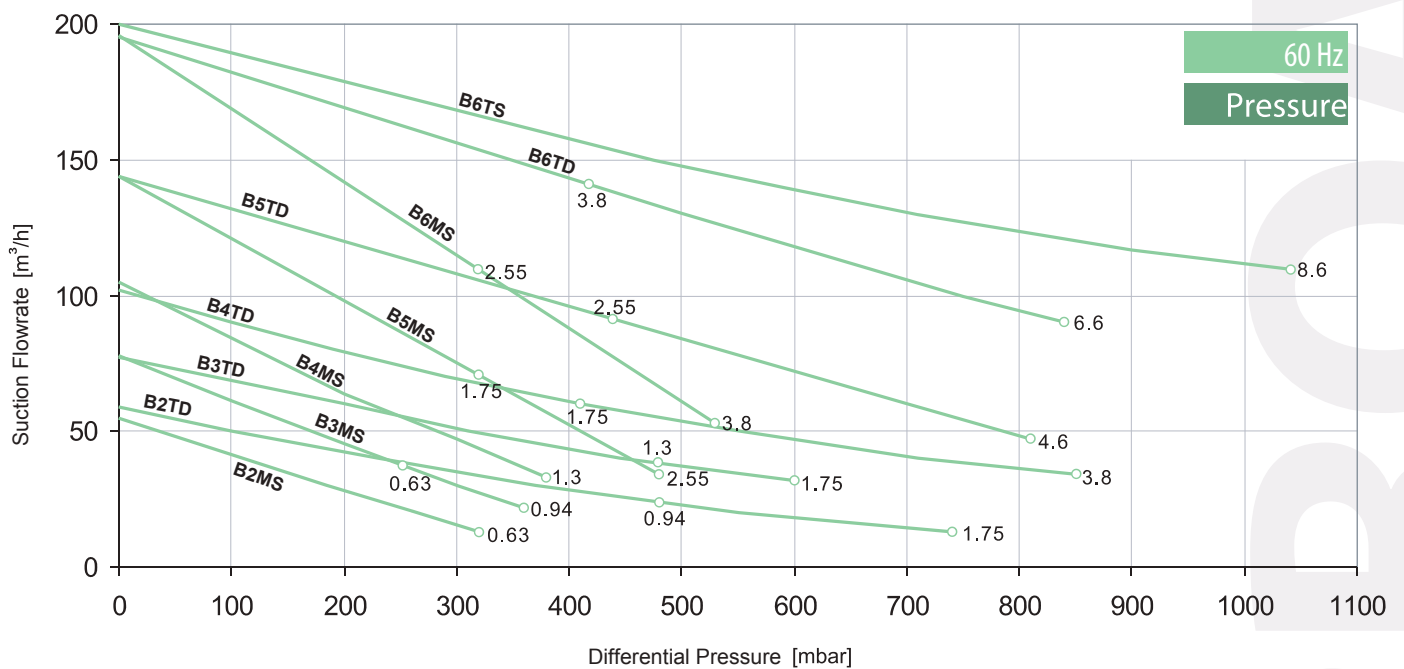
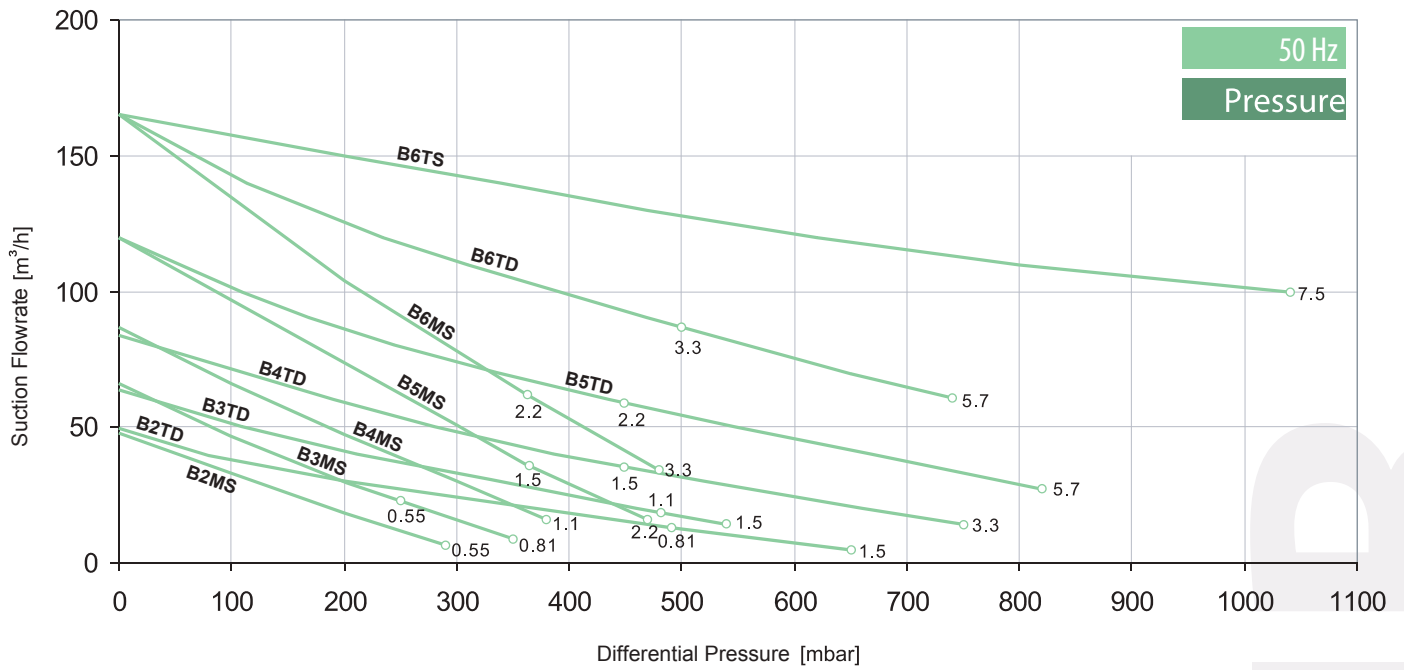


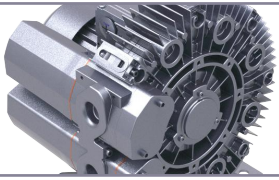
PERFORMANCE GRAPHS



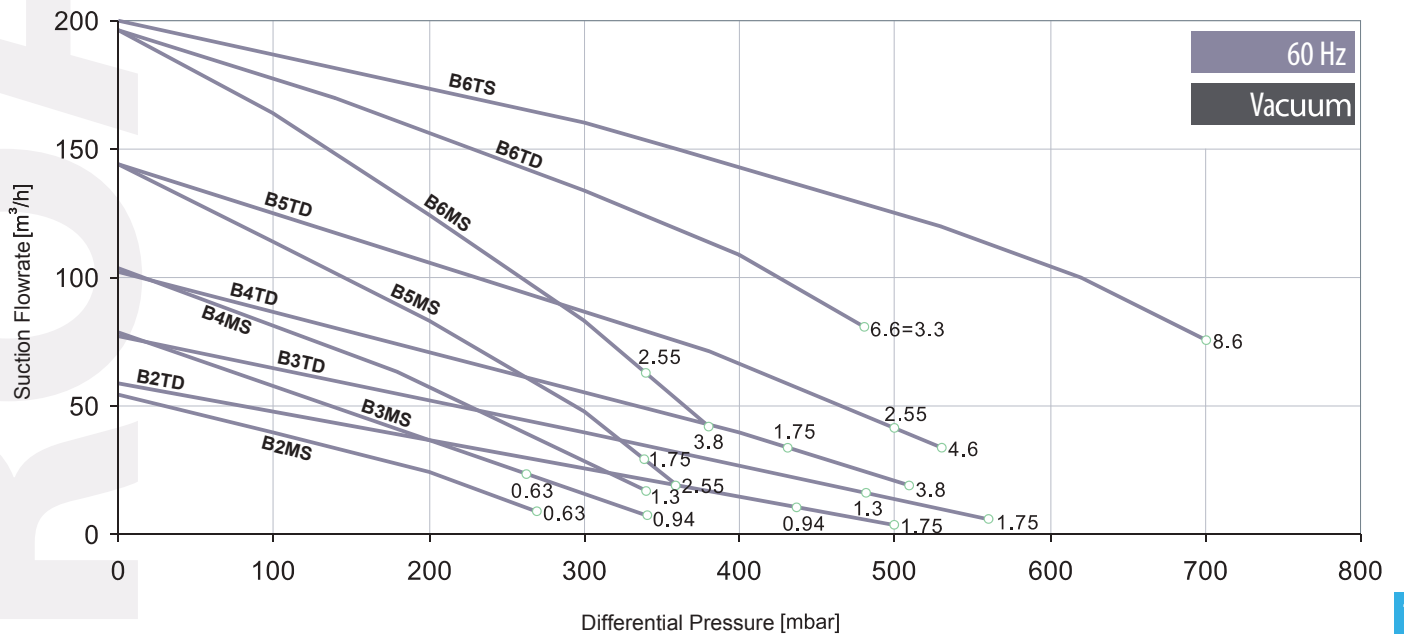
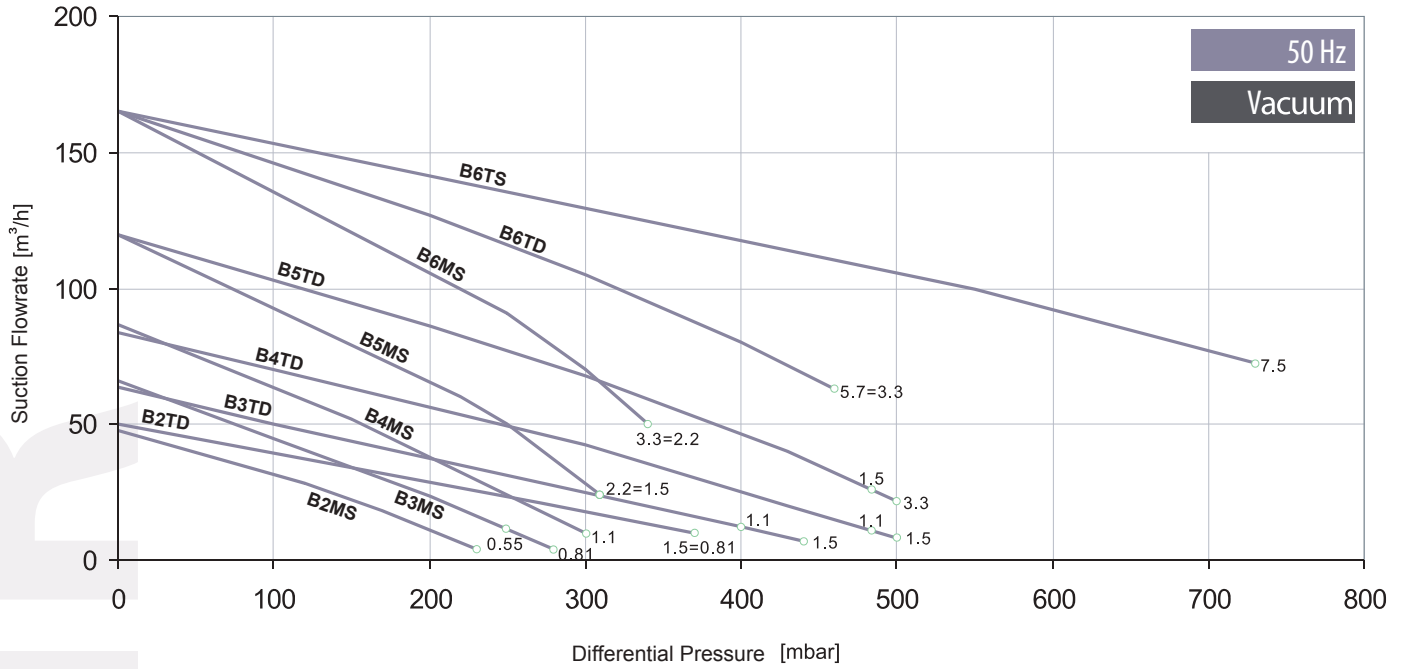


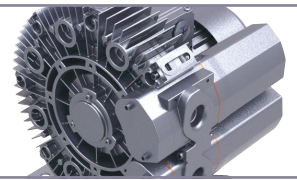
B SERIE BLOWER PERFORMANCE GRAPHS





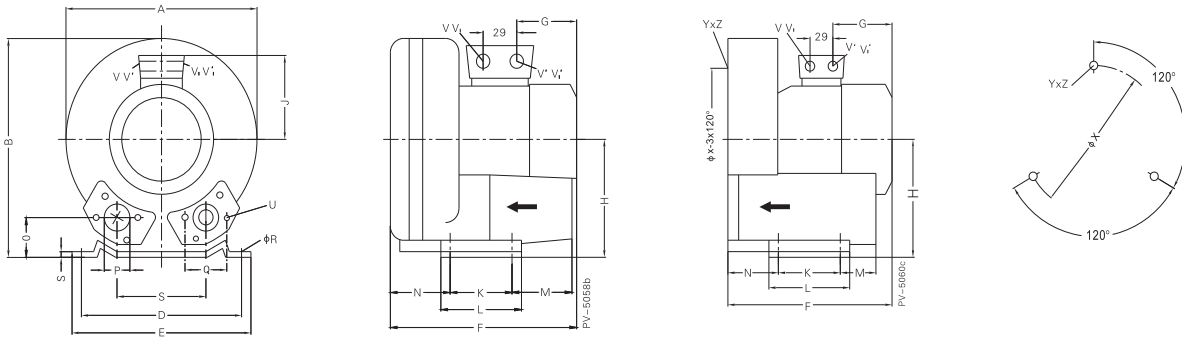
B SERIE BLOWER PERFORMANCE GRAPHS





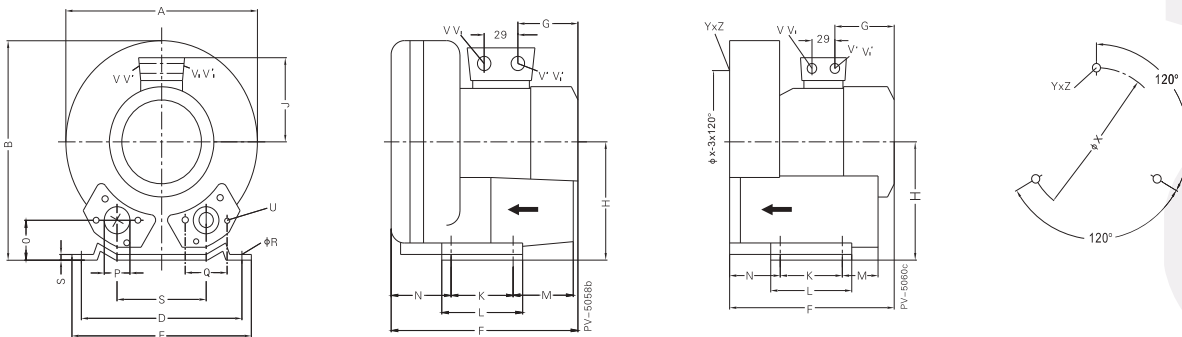
DIMENSIONS

A2MS, A2TS, A3MS, A3TS



		A	B	C	D	E	F	G	H	J	K	L	M	N	O	P	Q	ΦR	S	U	V ₍₁₋₃₎	V' ₍₁₋₃₎	V ₍₁₋₃₎	V' ₍₁₋₃₎	YxZ	X-Holes	ΦX
A2MS-106	3~	246	247	90	205	230	219	92	128	101	83	108	75	71	39	G 1/14	64	10	2.5	M6x17	-	-	M25X1.5	M16X1.5	M6X15	0°/120°/240°	140
A2MS-115	1~	246	247	90	205	230	256	135	128	111	83	108	75	71	39	G 1/14	64	10	2.5	M6x17	M16X1.5	M25X1.5	-	-	M6X15	0°/120°/240°	140
A2MS-116	3~	246	247	90	205	230	256	135	128	111	83	108	75	71	39	G 1/14	64	10	2.5	M6x17	-	-	M25X1.5	M16X1.5	M6X15	0°/120°/240°	140
A2MS-111	1~	246	247	90	205	230	256	135	128	111	83	108	75	71	39	G 1/14	64	10	2.5	M6x17	M16X1.5	M25X1.5	-	-	M6X15	0°/120°/240°	140
A2TS-106	3~	246	247	90	205	230	242	102	128	101	83	108	75	82	39	G 1/14	64	10	2.5	M6x17	-	-	M25X1.5	M16X1.5	M6X15	0°/120°/240°	140
A2TS-116	3~	246	247	90	205	230	267	135	128	111	83	108	75	82	39	G 1/14	64	10	2.5	M6x17	-	-	M25X1.5	M16X1.5	M6X15	0°/120°/240°	140
A2TS-126	3~	246	247	90	205	230	267	135	128	111	83	108	75	82	39	G 1/14	64	10	2.5	M6x17	-	-	M25X1.5	M16X1.5	M6X15	0°/120°/240°	140
A2TS-115	1~	246	247	90	205	230	267	135	128	111	83	108	75	82	39	G 1/14	64	10	2.5	M6x17	M16X1.5	M25X1.5	-	-	M6X15	0°/120°/240°	140
A2TS-111	1~	246	247	90	205	230	267	135	128	111	83	108	75	82	39	G 1/14	64	10	2.5	M6x17	M16X1.5	M25X1.5	-	-	M6X15	0°/120°/240°	140
A3MS-106	3~	268	272	93	205	230	260	135	141	111	83	108	82	69	41	G 1/14	64	10	2.5	M6x17	-	-	M25X1.5	M16X1.5	M6X15	0°/120°/240°	160
A3MS-116	3~	268	272	93	205	230	260	135	141	111	83	108	82	69	41	G 1/14	64	10	2.5	M6x17	-	-	M25X1.5	M16X1.5	M6X15	0°/120°/240°	160
A3MS-101	1~	268	272	93	205	230	260	135	141	111	83	108	82	69	41	G 1/14	64	10	2.5	M6x17	M16X1.5	M25X1.5	-	-	M6X15	0°/120°/240°	160
A3MS-111	1~	268	272	93	205	230	260	135	141	111	83	108	82	69	41	G 1/14	64	10	2.5	M6x17	M16X1.5	M25X1.5	-	-	M6X15	0°/120°/240°	160
A3TS-106	3~	268	272	93	205	230	276	135	141	111	83	108	82	85	41	G 1/14	64	10	2.5	M6x17	-	-	M25X1.5	M16X1.5	M6X15	0°/120°/240°	160
A3TS-116	3~	268	272	93	205	230	276	135	141	111	83	108	82	85	41	G 1/14	64	10	2.5	M6x17	-	-	M25X1.5	M16X1.5	M6X15	0°/120°/240°	160
A3TS-111	1~	268	272	93	205	230	276	135	141	111	83	108	82	85	41	G 1/14	64	10	2.5	M6x17	M16X1.5	M25X1.5	-	-	M6X15	0°/120°/240°	160

A4MS, A4TS

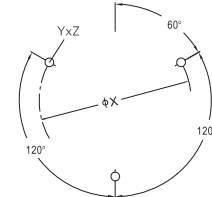
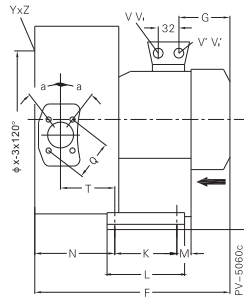
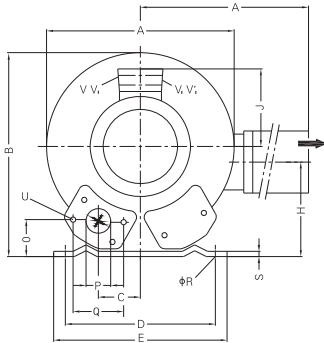


		A	B	C	D	E	F	G	H	J	K	L	M	N	O	P	Q	ΦR	S	U	V ₍₁₋₃₎	V' ₍₁₋₃₎	V ₍₁₋₃₎	V' ₍₁₋₃₎	YxZ	X-Holes	ΦX
A4MS-111	1~	286	302	115	225	225	294	160	154	120	95	130	70	75	46	G 1/12	72	12	3	M6x19	M16X1.5	M25X1.5	-	-	M6X15	0°/120°/240°	174
A4MS-121	1~	286	302	115	225	225	294	160	154	120	95	130	70	75	46	G 1/12	72	12	3	M6x19	M16X1.5	M25X1.5	-	-	M6X15	0°/120°/240°	174
A4MS-125	1~	286	302	115	225	225	294	160	154	120	95	130	70	75	46	G 1/12	72	12	3	M6x19	M16X1.5	M25X1.5	-	-	M6X15	0°/120°/240°	174
A4MS-106	3~	286	302	115	225	225	269	135	154	111	95	130	70	75	46	G 1/12	72	12	3	M6x19	-	-	M25X1.5	M16X1.5	M6X15	0°/120°/240°	174
A4MS-116	3~	286	302	115	225	225	292	160	154	120	95	130	70	75	46	G 1/12	72	12	3	M6x19	-	-	M25X1.5	M16X1.5	M6X15	0°/120°/240°	174
A4MS-126	3~	286	302	115	225	225	292	160	154	120	95	130	70	75	46	G 1/12	72	12	3	M6x19	-	-	M25X1.5	M16X1.5	M6X15	0°/120°/240°	174
A4TS-111	1~	286	302	115	225	225	311	160	154	120	95	130	70	75	46	G 1/12	72	12	3	M6x19	M16X1.5	M25X1.5	-	-	M6X15	0°/120°/240°	174
A4TS-121	1~	286	302	115	225	225	311	160	154	120	95	130	70	75	46	G 1/12	72	12	3	M6x19	M16X1.5	M25X1.5	-	-	M6X15	0°/120°/240°	174
A4TS-106	3~	286	302	115	225	225	288	135	154	111	95	130	70	75	46	G 1/12	72	12	3	M6x19	-	-	M25X1.5	M16X1.5	M6X15	0°/120°/240°	174
A4TS-116	3~	286	302	115	225	225	311	160	154	120	95	130	70	75	46	G 1/12	72	12	3	M6x19	-	-	M25X1.5	M16X1.5	M6X15	0°/120°/240°	174
A4TS-106	3~	286	302	115	225	225	311	160	154	120	95	130	70	75	46	G 1/12	72	12	3	M6x19	-	-	M25X1.5	M16X1.5	M6X15	0°/120°/240°	174
A4TS-125	1~	286	302	115	225	225	311	160	154	120	95	130	70	75	46	G 1/12	72	12	3	M6x19	M16X1.5	M25X1.5	-	-	M6X15	0°/120°/240°	174



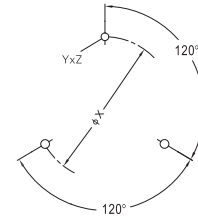
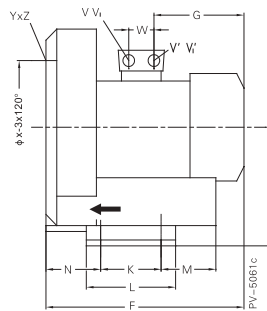
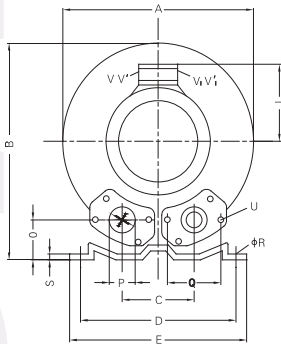
DIMENSIONS

A2TD, A3TD, A4TD



		A	A'	B	C	D	E	F	G	H	H'	J	K	L	M	N	O	P	Q	ΦR	S	T	U	V ₍₁₋₎	V ₍₁₊₎	V ₍₁₃₋₎	V ₍₁₃₊₎	α	ΦX	YxZ	X-Holes
A2TD-226	3~	284	316	270	45	205	230	316	135	128	106	111	83	108	75	130	39	G 1/4	64	10	2.5	88	M6X17	-	-	M25X1.5	M16X1.5	27°	140	M6X15	0°/120°/240°
A3TD-236	3~	293	324	286	47	205	230	354	160	141	114	120	83	108	82	138	41	G 1/4	64	10	2.5	92	M6X17	-	-	M25X1.5	M16X1.5	27°	160	M6X15	0°/120°/240°
A3TD-231	1~	293	324	286	47	205	230	354	160	141	114	120	83	108	82	138	41	G 1/4	64	10	2.5	92	M6X17	M25X1.5	M16X1.5	-	-	27°	160	M6X15	0°/120°/240°
A4TD-236	3~	322	324	315	58	225	255	401	191	154	153	128	95	130	73	151	45	G 1/2	72	12	3	104	M6X19	-	-	M25X1.5	M16X1.5	28°	174	M6X15	0°/120°/240°
A4TD-246	3~	322	324	315	58	225	255	401	191	154	153	128	95	130	73	151	45	G 1/2	72	12	3	104	M6X19	-	-	M25X1.5	M16X1.5	28°	174	M6X15	0°/120°/240°
A4TD-231	1~	322	324	315	58	225	255	401	191	154	153	128	95	130	73	151	45	G 1/2	72	12	3	104	M6X19	M16X1.5	M25X1.5	-	-	28°	174	M6X15	0°/120°/240°
A4TD-245	1~	322	324	315	58	225	255	401	191	154	153	128	95	130	73	151	45	G 1/2	72	12	3	104	M6X19	M16X1.5	M25X1.5	-	-	28°	174	M6X15	0°/120°/240°

A5MS, A5TS

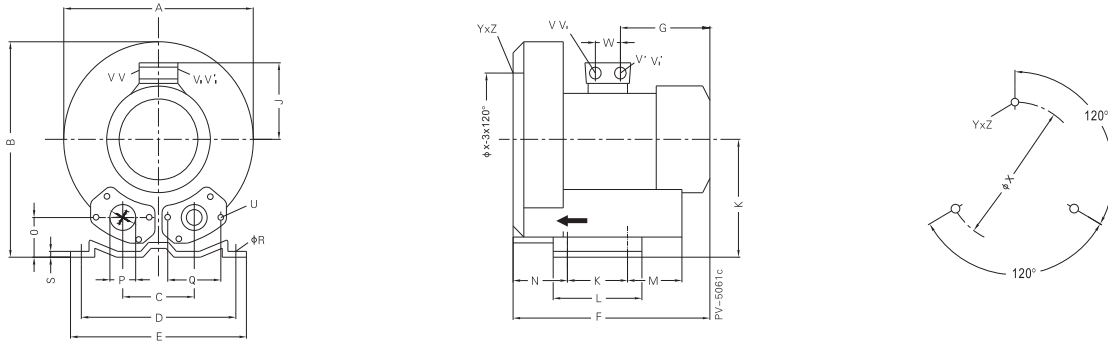


		A	B	C	D	E	F	G	H	J	K	L	M	N	O	ΦP	Q	ΦR	S	U	V ₍₁₋₎	V ₍₁₊₎	V ₍₁₃₋₎	V ₍₁₃₊₎	YxZ	X-Holes	ΦX	W
A5MS-111	1~	334	337	120	260	295	314	160	175	120	115	155	96	87	48	55	83	14	4	M8x17	M16x1.5	M25x1.5	-	-	M8x20	0°/120°/240°	200	29
A5MS-121	1~	334	337	120	260	295	345	191	175	128	115	155	96	87	48	55	83	14	4	M8x17	M16x1.5	M25x1.5	-	-	M8x20	0°/120°/240°	200	29
A5MS-135	1~	334	337	120	260	295	345	191	175	128	115	155	96	87	48	55	83	14	4	M8x17	M16x1.5	M25x1.5	-	-	M8x20	0°/120°/240°	200	29
A5MS-106	3~	334	337	120	260	295	314	160	175	120	115	155	96	87	48	55	83	14	4	M8x17	-	-	M25X1.5	M16X1.5	M8x20	0°/120°/240°	200	29
A5MS-116	3~	334	337	120	260	295	314	160	175	120	115	155	96	87	48	55	83	14	4	M8x17	-	-	M25X1.5	M16X1.5	M8x20	0°/120°/240°	200	29
A5MS-126	3~	334	337	120	260	295	346	191	175	128	115	155	96	87	48	55	83	14	4	M8x17	-	-	M25X1.5	M16X1.5	M8x20	0°/120°/240°	200	29
A5MS-136	3~	334	337	120	260	295	346	191	175	128	115	155	96	87	48	55	83	14	4	M8x17	-	-	M25X1.5	M16X1.5	M8x20	0°/120°/240°	200	29
A5TS-111	1~	334	337	120	260	295	334	160	175	120	115	155	96	87	48	55	83	14	4	M8x17	M16X1.5	M25X1.5	-	-	M8x20	0°/120°/240°	200	29
A5TS-121	1~	334	337	120	260	295	365	191	175	128	115	155	96	87	48	55	83	14	4	M8x17	M16X1.5	M25X1.5	-	-	M8x20	0°/120°/240°	200	29
A5TS-106	3~	334	337	120	260	295	334	160	175	120	115	155	96	87	48	55	83	14	4	M8x17	-	-	M25X1.5	M16X1.5	M8x20	0°/120°/240°	200	29
A5TS-116	3~	334	337	120	260	295	334	160	175	120	115	155	96	87	48	55	83	14	4	M8x17	-	-	M25X1.5	M16X1.5	M8x20	0°/120°/240°	200	29
A5TS-126	3~	334	337	120	260	295	365	191	175	128	115	155	96	87	48	55	83	14	4	M8x17	-	-	M25X1.5	M16X1.5	M8x20	0°/120°/240°	200	29
A5TS-136	3~	334	337	120	260	295	365	191	175	128	115	155	96	87	48	55	83	14	4	M8x17	-	-	M25X1.5	M16X1.5	M8x20	0°/120°/240°	200	29
A5TS-135	1~	334	337	120	260	295	365	191	175	128	115	155	96	87	48	55	83	14	4	M8x17	M16X1.5	M25X1.5	-	-	M8x20	0°/120°/240°	200	29



DIMENSIONS

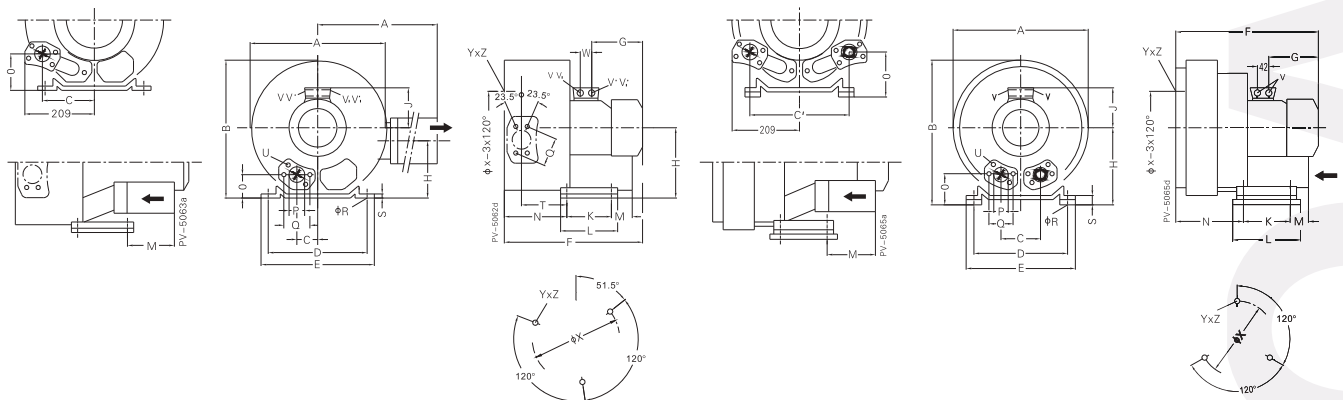
A6MS, A6TS, A7MS, A7TS



	A	B	C	D	E	F	G	H	J	K	L	M	N	O	φP	Q	φR	S	U	V ⁽¹⁾	V ⁽²⁾	V ⁽³⁾	V ⁽⁴⁾	YxZ	X-Holes	φX	W	
A6MS-106	3~	360	366	122	284	325	354	191	192	128	140	180	64	74	56	56	93	13	4.5	M8x17	-	-	M25X1.5	M16X1.5	M8x20	0°/120°/240°	226	29
A6MS-116	3~	360	366	122	284	325	354	191	192	128	140	180	64	74	56	56	93	13	4.5	M8x17	-	-	M25X1.5	M16X1.5	M8x20	0°/120°/240°	226	29
A6MS-126	3~	360	366	122	284	325	385	188	192	135	140	180	64	74	56	56	93	13	4.5	M8x17	M32X1.5	M32X1.5	M32X1.5	M32X1.5	M8x20	0°/120°/240°	226	42
A6TS-106	3~	360	366	122	284	325	372	191	192	128	140	180	64	74	56	56	93	13	4.5	M8x17	-	-	M25X1.5	M16X1.5	M8x20	0°/120°/240°	226	29
A6TS-116	3~	360	366	122	284	325	372	191	192	128	140	180	64	74	56	56	93	13	4.5	M8x17	-	-	M25X1.5	M16X1.5	M8x20	0°/120°/240°	226	29
A6TS-126	3~	360	366	122	284	325	403	188	192	135	140	180	64	74	56	56	93	13	4.5	M8x17	M32X1.5	M32X1.5	M32X1.5	M32X1.5	M8x20	0°/120°/240°	226	42
A7MS-111	1~	382	384	125	290	325	404	218	197	128	140	180	84	109	54	55	83	15	4.5	M8x17	M25X1.5	M16X1.5	-	-	M10X20	0°/120°/240°	240	29
A7MS-106	3~	382	384	125	290	325	377	191	197	128	140	180	84	109	54	55	83	15	4.5	M8x17	-	-	M25X1.5	M16X1.5	M10X20	0°/120°/240°	240	29
A7MS-116	3~	382	384	125	290	325	377	191	197	128	140	180	84	109	54	55	83	15	4.5	M8x17	-	-	-	-	M10X20	0°/120°/240°	240	29
A7MS-126	3~	360	366	122	284	325	409	188	197	135	140	180	84	109	54	55	83	15	4.5	M8x17	M32X1.5	M32X1.5	M32X1.5	M32X1.5	M10X20	0°/120°/240°	240	42
A7MS-137	3~	360	366	122	284	325	432	209	197	148	140	180	84	109	54	55	83	15	4.5	M8x17	M32X1.5	M32X1.5	M32X1.5	M32X1.5	M10X20	0°/120°/240°	240	42
A7TS-106	3~	360	366	122	284	325	387	191	197	128	140	180	84	109	54	55	83	15	4.5	M8x17	M25X1.5	M16X1.5	-	-	M10X20	0°/120°/240°	240	29
A7TS-116	3~	360	366	122	284	325	387	191	197	128	140	180	84	109	54	55	83	15	4.5	M8x17	M25X1.5	M16X1.5	-	-	M10X20	0°/120°/240°	240	29
A7TS-126	3~	382	384	125	290	325	419	189	197	135	140	180	84	109	54	55	83	15	4.5	M8x17	M32X1.5	M32X1.5	M32X1.5	M32X1.5	M10X20	0°/120°/240°	240	42
A7TS-137	3~	382	384	125	290	325	432	209	197	148	140	180	84	109	54	55	83	15	4.5	M8x17	M32X1.5	M32X1.5	M32X1.5	M32X1.5	M10X20	0°/120°/240°	240	42

A7TD-..4/5. A5TD-..4/5., A7TD-..1/2/3.

A7MD-..4/5. A7MD-..3.



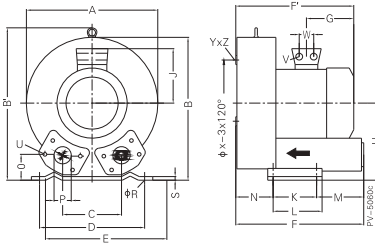
	A	A'	B	C	D	E	F	G	H	H'	J	K	L	M	N	O	φP	Q	φR	S	T	U	V	V'	V ₁	V ₁ '	φX	YxZ	X-Holes	W	
A5TD-246	3~	372	411	371	60	260	295	465	190	175	144	135	115	155	98	171	48	55	83	14	4	116	M8x17	M32x1.5	M32x1.5	M32x1.5	M32x1.5	200	M8x20	51.5°/171.5°/291.5°	42
A5TD-257	3~	372	411	371	60	260	295	499	224	175	144	135	115	155	98	171	48	55	83	14	4	116	M8x17	M32x1.5	M32x1.5	-	-	200	M8x20	51.5°/171.5°/291.5°	42
A7TD-216	3~	426	426	410	63	290	325	473	191	197	162	128	140	180	84	205	53	55	83	15	4.5	130	M8x17	M25x1.5	M16x1.5	-	-	240	M10x20	51.5°/171.5°/291.5°	29
A7TD-226	3~	426	426	410	63	290	325	496	188	197	162	135	140	180	84	205	53	55	83	15	4.5	130	M8x17	M32x1.5	M32x1.5	M32x1.5	M32x1.5	240	M10x20	51.5°/171.5°/291.5°	42
A7TD-237	3~	426	426	410	63	290	325	526	209	197	162	148	140	180	84	205	53	55	83	15	4.5	130	M8x17	M32x1.5	M32x1.5	M32x1.5	M32x1.5	240	M10x20	51.5°/171.5°/291.5°	42
A7TD-247	3~	426	426	410	154	290	325	571	226	197	162	167	140	180	200	205	94	55	83	15	4.5	130	M8x17	M32x1.5	M32x1.5	M32x1.5	M32x1.5	240	M10x20	51.5°/171.5°/291.5°	42
A7TD-257	3~	426	426	410	154	290	325	571	226	197	162	167	140	180	200	205	91	55	83	15	4.5	130	M8x17	M32x1.5	M32x1.5	M32x1.5	M32x1.5	240	M10x20	51.5°/171.5°/291.5°	42

	A	B	C	C'	D	E	F	G	H	J	K	L	M	N	O	φP	Q	φR	S	U	V	φX	YxZ	X-Holes	
A7MD-337	3~	420	410	125	-	290	325	526	209	197	148	140	180	84	205	153	55	83	15	64.5	M8x17	4xM32x1.5	240	M10x20	0°/120°/240°
A7MD-347	3~	420	410	-	308	290	325	571	226	257	167	140	180	200	205	153	55	83	15	64.5	M8x17	4xM32x1.5	240	M10x20	0°/120°/240°
A7MD-357	3~	420	410	-	308	290	325	571	226	257	167	140	180	200	205	153	55	83	15	64.5	M8x17	4xM32x1.5	240	M10x20	0°/120°/240°

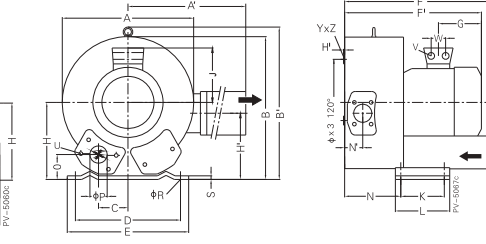


DIMENSIONS

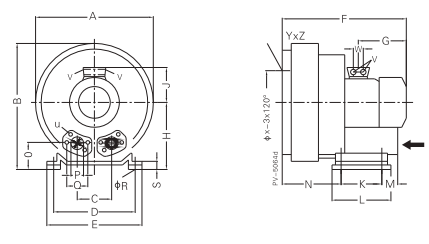
A8MS, A8TS



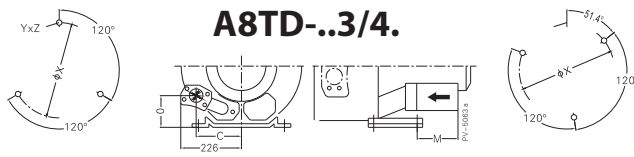
A8TD-..1/2.



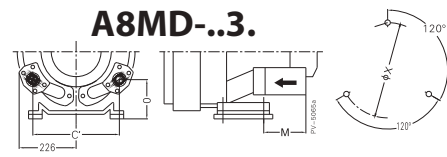
A8MD-..2.



A8TD-..3/4.



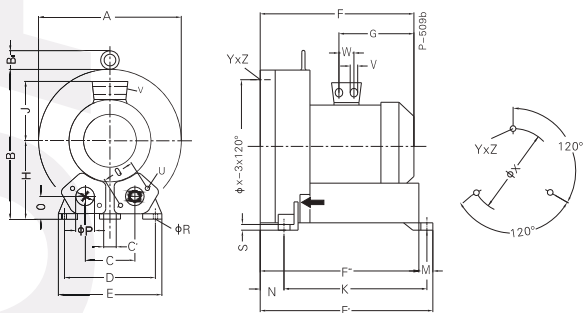
A8MD-..3.



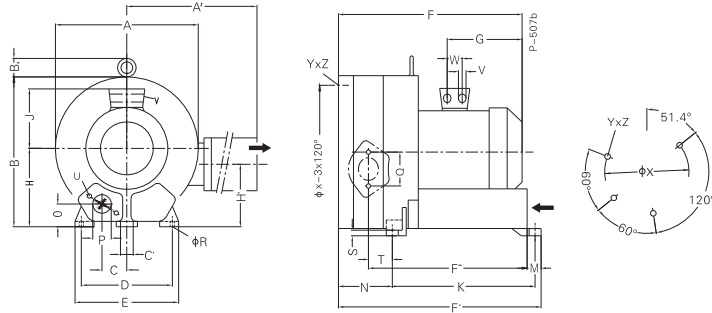
	A	A'	B	B'	C	D	E	F	F'	G	H	H'	J	K	L	M	N	N'	O	φP	φR	S	V	W	φX	YxZ	X-Holes	
A8MS-107	3~	451	-	461	509	152	356	394	433	450	230	240	-	148	170	217	140	124	-	65	G21/2	15	6	4xM32x1.5	42	286	M12x20	0°/120°/240°
A8MS-117	3~	451	-	461	509	152	356	394	433	477	226	240	-	148	170	217	140	124	-	65	G21/2	15	6	4xM32x1.5	42	286	M12x20	0°/120°/240°
A8MS-127	3~	451	-	461	509	152	356	394	433	477	226	240	-	148	170	217	140	124	-	65	G21/2	15	6	4xM32x1.5	42	286	M12x20	0°/120°/240°
A8TD-117	3~	500	549	490	509	76	356	394	545	589	226	240	199	148	170	217	-	236	84	65	G21/2	15	6	4xM32x1.5	42	286	M12x20	51.4°/120°/240°
A8TD-127	3~	500	549	490	509	76	356	394	545	589	226	240	199	148	170	217	-	236	84	65	G21/2	15	6	4xM32x1.5	42	286	M12x20	51.4°/120°/240°
A8TD-137	3~	500	549	490	509	76	356	394	545	694	318	240	199	197	170	217	-	212	84	105	G21/2	15	6	4xM40x1.5	54	286	M12x20	51.4°/120°/240°
A8TD-147	3~	500	549	490	509	152	356	394	545	694	318	240	199	197	170	217	-	212	84	105	G21/2	15	6	4xM40x1.5	54	286	M12x20	51.4°/120°/240°
A8TS-107	3~	451	-	461	509	152	356	394	449	466	230	240	-	148	170	217	139	164	-	65	G21/2	15	6	4xM32x1.5	42	286	M12x20	0°/120°/240°
A8TS-117	3~	451	-	461	509	152	356	394	449	492	247	240	-	167	170	217	139	164	-	65	G21/2	15	6	4xM32x1.5	42	286	M12x20	0°/120°/240°
A8TS-127	3~	451	-	461	509	152	356	394	449	492	247	240	-	167	170	217	139	164	-	65	G21/2	15	6	4xM32x1.5	42	286	M12x20	0°/120°/240°

	A	B	C	C'	D	E	F	G	H	J	K	L	M	N	O	φP	φR	S	V	W	φX	YxZ	X-Holes	
A8MD-327	3~	500	550	152	-	356	394	589	247	300	167	170	217	-	236	125	G21/2	15	66	4xM32x1.5	42	286	M12x20	0°/120°/240°
A8MD-337	3~	500	550	-	336	356	394	694	318	300	197	170	217	312	212	165	G21/2	15	66	4xM40x1.5	54	286	M12x20	0°/120°/240°

A9MS, A9TS



A9TD



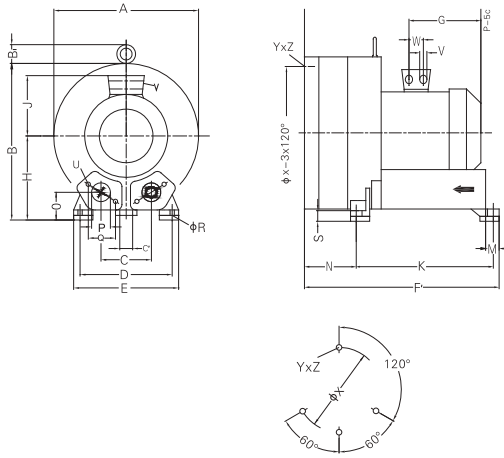
	A	B	B'	C	C'	D	E	F	F'	F''	G	H	H'	J	K	M	N	O	φP	Q	φR	S	U	V	W	φX	YxZ	X-Holes
A9MS-107	3~	550	569	55	207	15	360	415	525	644	605	268	300	167	533	39	89	92	100	150	15	21	M12x30	4xM32x1.5	42	490	M12x30	0°/120°/240°
A9MS-117	3~	550	569	55	207	15	360	415	611	644	605	345	300	197	533	39	89	92	100	150	15	21	M12x30	4xM40x1.5	54	490	M12x30	0°/120°/240°
A9MS-137	3~	550	569	55	207	15	360	415	611	644	605	345	300	197	533	39	89	92	100	150	15	21	M12x30	4xM40x1.5	54	490	M12x30	0°/120°/240°
A9TS-107	3~	550	569	55	207	15	360	415	563	682	643	268	300	167	533	39	127	92	100	150	15	21	M12x30	4xM32x1.5	42	490	M12x30	0°/120°/240°
A9TS-117	3~	550	569	55	207	15	360	415	649	682	643	345	300	197	533	39	127	92	100	150	15	21	M12x30	4xM40x1.5	54	490	M12x30	0°/120°/240°
A9TS-137	3~	550	569	55	207	15	360	415	649	682	643	345	300	197	533	39	127	92	100	150	15	21	M12x30	4xM40x1.5	54	490	M12x30	0°/120°/240°

	A	A'	B	B _i	C	C'	D	E	F	F'	F''	G	H	H'	J	K	M	N	O	φP	Q	φR	S	T	U	V	W	φX	YxZ	X-Holes	
A9TD-217	3~	615	780	607	16	103.5	15	360	415	752	786	634	345	300	234	197	533	39	230	92	100	150	15	21	117	M12x30	4xM40x1.5	54	490	M12x30	51°/120°/240°
A9TD-227	3~	615	780	607	16	103.5	15	360	415	752	786	634	345	300	234	197	533	39	230	92	100	150	15	21	117	M12x30	4xM40x1.5	54	490	M12x30	51°/120°/240°
A9TD-237	3~	615	780	607	16	103.5	15	360	415	752	786	634	345	300	234	197	533	39	230	92	100	150	15	21	117	M12x30	4xM40x1.5	54	490	M12x30	51°/120°/240°
A9TD-247	3~	615	780	607	16	103.5	15	360	415	812	786	634	345	300	234	197	533	39	230	92	100	150	15	21	117	M12x30	4xM40x1.5	54	490	M12x30	51°/120°/240°

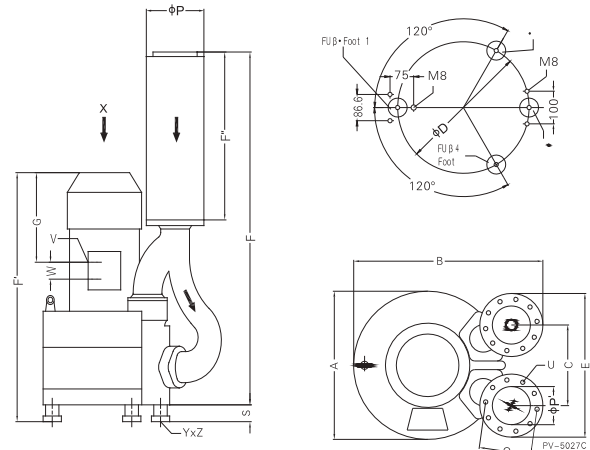


DIMENSIONS

A9MD



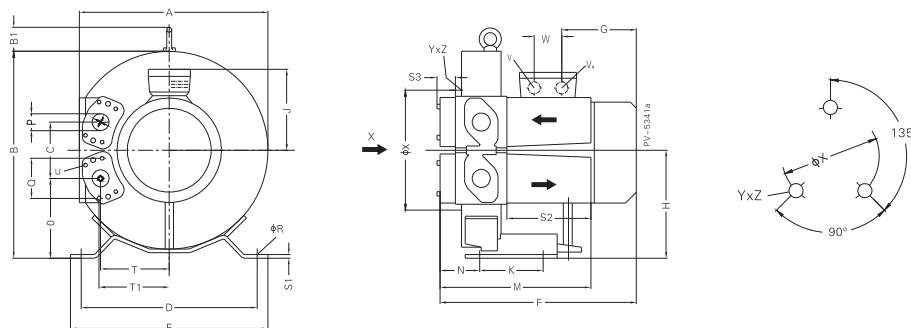
A9MD-..X



	A	B	B ₁	C	C'	D	E	F	F'	G	H	J	K	M	N	O	φP	Q	φR	S	U	V	W	φX	YxZ	X-Holes	
A9MD-427	3~	615	657	16	207	15	360	415	752	786	345	350	197	533	39	280	142	100	140	15	71	M12x35	4xM40x1.5	54	490	M12x30	120°/60°/60°
A9MD-437	3~	615	657	16	207	15	360	415	752	786	345	350	197	533	39	280	142	100	140	15	71	M12x35	4xM40x1.5	54	490	M12x30	120°/60°/60°
A9MD-447	3~	615	657	16	207	15	360	415	812	786	345	350	197	533	39	280	142	100	140	15	71	M12x35	4xM40x1.5	54	490	M12x30	120°/60°/60°

	A	B	C	D	E	F	F'	F''	G	P	P'	Q	S	U	V	W	YxZ	
A9MD-427X	3~	615	723	307	490	526	1201	848	578	291	219	135	201	58	M8x40	4xM40x1.5	54	M12x10.5
A9MD-437X	3~	615	723	307	490	526	1201	848	578	291	219	135	201	58	M8x40	4xM40x1.5	54	M12x10.5
A9MD-447X	3~	615	723	307	490	526	1201	908	578	351	219	135	201	58	M8x40	4xM40x1.5	54	M12x10.5

B2MS, B3MS, B4MS, B5MS, B6MS

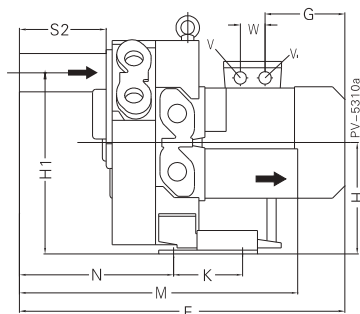
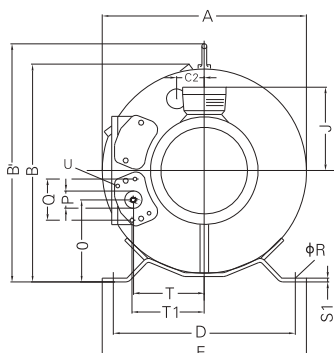


	A	B	B ₁	C	D	E	F	G	H	J	K	M	N	O	P	Q	φR	S1	S2	S3	T	T1	U	V	V1	W	φX	YxZ	
B2MS-116-7	3~	294	319	39	87	260	298	293	129	167	111	105	252	65	124	G 1/14	64	14	4	140	31	105	107	M6x17	M25x1.5	M16x1.5	32	153	M6x15
B2MS-175-7	1~	294	319	39	87	260	298	293	129	167	111	105	252	65	124	G 1/14	64	14	4	140	31	105	107	M6x17	M25x1.5	M16x1.5	32	153	M6x15
B3MS-116-7	3~	313	339	39	94	290	325	295	153	177	120	105	256	67	130	G 1/14	64	14	4	140	31	114	116	M6x17	M25x1.5	M16x1.5	32	153	M6x15
B3MS-126-7	3~	313	339	39	94	290	325	295	153	177	120	105	256	67	130	G 1/14	64	14	4	140	31	114	116	M6x17	M25x1.5	M16x1.5	32	153	M6x15
B3MS-171-7	1~	313	339	39	94	290	325	295	153	177	120	105	256	67	130	G 1/14	64	14	4	140	31	114	116	M6x17	M25x1.5	M16x1.5	32	153	M6x15
B3MS-175-7	1~	313	339	39	94	290	325	295	153	177	120	105	256	67	130	G 1/14	64	14	4	140	31	114	116	M6x17	M25x1.5	M16x1.5	32	153	M6x15
B4MS-116-7	3~	346	375	38	103	315	350	321	153	195	120	130	260	66	143	G 1/14	64	14	4	140	31	125	127	M6x17	M25x1.5	M16x1.5	32	167	M6x15
B4MS-141-7	1~	346	375	38	103	315	350	321	153	195	120	130	260	66	143	G 1/14	64	14	4	140	31	125	127	M6x17	M25x1.5	M16x1.5	32	167	M6x15
B4MS-146-7	1~	346	375	38	103	315	350	361	153	195	120	130	260	66	143	G 1/14	64	14	4	140	31	125	127	M6x17	M25x1.5	M16x1.5	32	167	M6x15
B5MS-116-8	3~	368	395	39	114	328	363	361	185	205	128	152	265	68	148	G 1/14	64	14	5	140	31	137	138	M6x17	M25x1.5	M16x1.5	32	192	M8x15
B5MS-126-8	3~	368	395	39	114	328	363	361	185	205	128	152	265	68	148	G 1/14	64	14	5	140	31	137	138	M6x17	M25x1.5	M16x1.5	32	192	M8x15
B6MS-116-8	3~	418	455	39	127	371	406	364	185	235	128	152	271	72	172	G 1/14	64	14	5	140	31	153	155	M6x17	M25x1.5	M16x1.5	32	228	M8x15
B6MS-136-8	3~	418	455	39	127	371	406	390	211	235	128	152	271	72	172	G 1/14	64	14	5	140	31	153	155	M6x17	M25x1.5	M16x1.5	32	228	M8x15

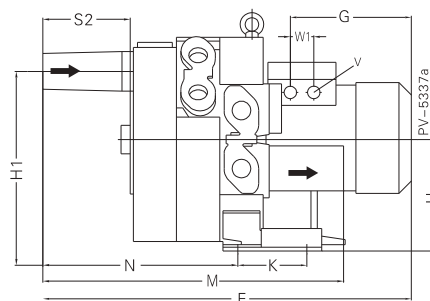
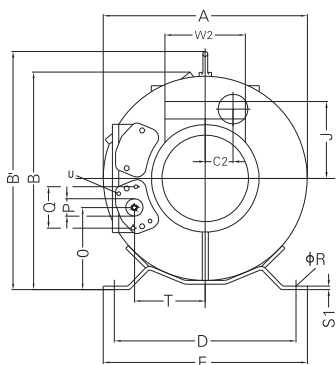


DIMENSIONS

B2TD, B3TD, B4TD, B5TD, B6TD



B6TS



	A	B	B'	C ₂	D	E	F	G	H	H ₁	J	K	M	N	O	P	Q	ϕR	S ₁	S ₂	S ₃	T	T ₁	U	V	V ₁	W	
B2TD-126-7	3~	313	326	359	43	260	298	469	130	167	272	111	105	426	241	123	G 1/4	64	14	4	140	31	105	107	M6x17	M25x1.5	M16x1.5	32
B2TD-156-7	3~	313	326	359	43	260	298	525	185	167	272	128	105	426	241	123	G 1/4	64	14	4	140	31	105	107	M6x17	M25x1.5	M16x1.5	32
B2TD-175-7	1~	313	326	359	43	260	298	525	185	167	272	128	105	426	241	123	G 1/4	64	14	4	140	31	105	107	M6x17	M25x1.5	M16x1.5	32
B3TD-146-7	3~	331	345	380	47	290	325	390	153	177	291	120	105	431	243	130	G 1/4	64	14	4	140	31	114	116	M6x17	M25x1.5	M16x1.5	32
B3TD-156-7	3~	331	345	380	47	290	325	421	185	177	291	128	105	431	243	130	G 1/4	64	14	4	140	31	114	116	M6x17	M25x1.5	M16x1.5	32
B3TD-175-7	1~	331	345	380	47	290	325	421	185	177	291	128	105	431	243	130	G 1/4	64	14	4	140	31	125	127	M6x17	M25x1.5	M16x1.5	32
B4TD-126-7	3~	363	377	414	52	315	350	529	180	195	319	128	130	436	243	143	G 1/4	64	14	4	140	31	125	127	M6x17	M25x1.5	M16x1.5	32
B4TD-156-7	3~	363	377	414	52	315	350	554	211	195	319	128	130	436	243	143	G 1/4	64	14	4	140	31	125	127	M6x17	M25x1.5	M16x1.5	32
B5TD-126-8	3~	387	402	435	57	328	363	549	185	206	343	128	152	453	256	148	G 1/4	64	14	5	140	31	137	138	M6x17	M25x1.5	M16x1.5	42
B5TD-177-8	3~	387	402	435	57	328	363	603	211	206	343	148	152	453	256	148	G 1/4	64	14	5	140	31	137	138	M6x17	2xM32x1.5	M16x1.5	32
B6TD-136-8	3~	442	457	495	63	372	406	578	211	236	389	128	152	458	259	173	G 1/4	64	14	5	140	31	153	155	M6x17	M25x1.5	M16x1.5	42
B6TD-157-8	3~	442	457	495	63	372	406	643	248	236	389	148	152	458	259	173	G 1/4	64	14	5	140	31	153	155	M6x17	2xM32x1.5	M16x1.5	42

	A	B	B'	C ₂	D	E	F	G	H	H ₁	K	M	N	O	P	Q	ϕR	S ₁	S ₂	T	U	V	W ₁	W ₂
B6TS-167-8	442	402	492	63	371	406	717	274	236	389	152	539	336	172	G 1/4	64	14	5	146	153	M6x17	M32x1.5	42	120

PROAIR

SIDE CHANNEL BLOWER

PROAIR